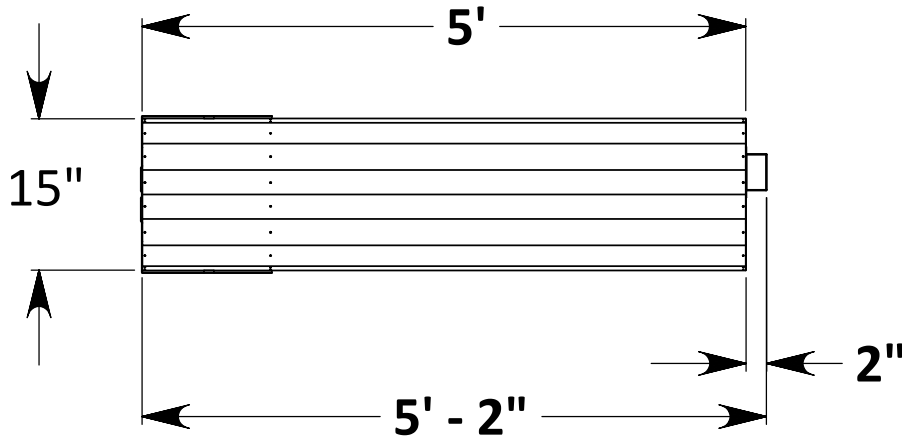


# CALCANA - PH SERIES - PATIO HEATER PLAN VIEWS

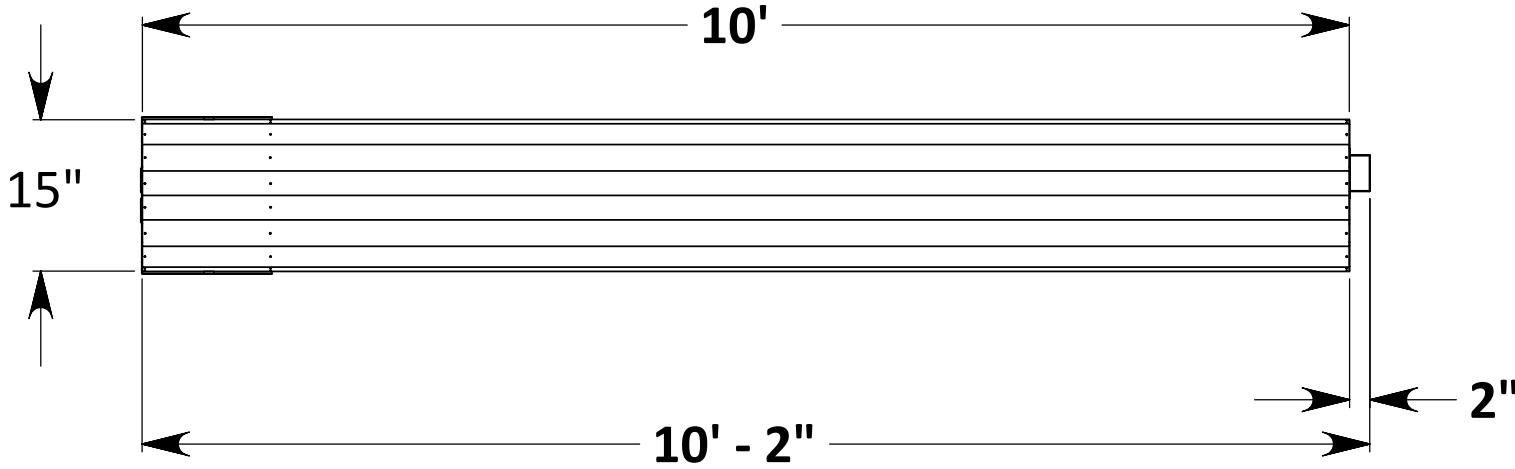
AIR INTAKE END

EXHAUST END

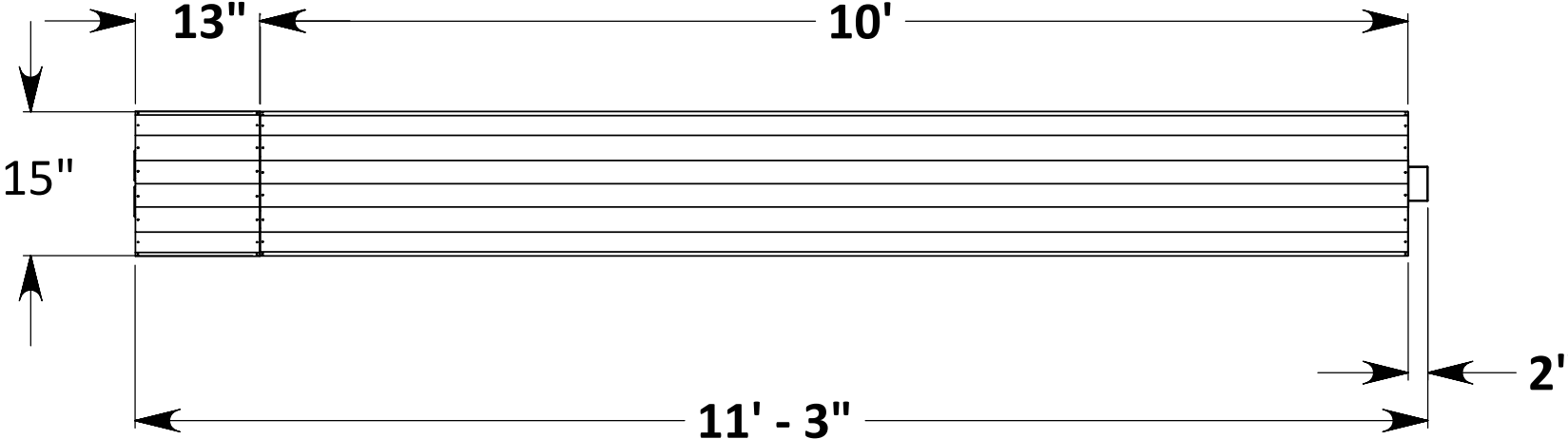
**PH-40HO-5'**  
WEIGHT: 70 LBS



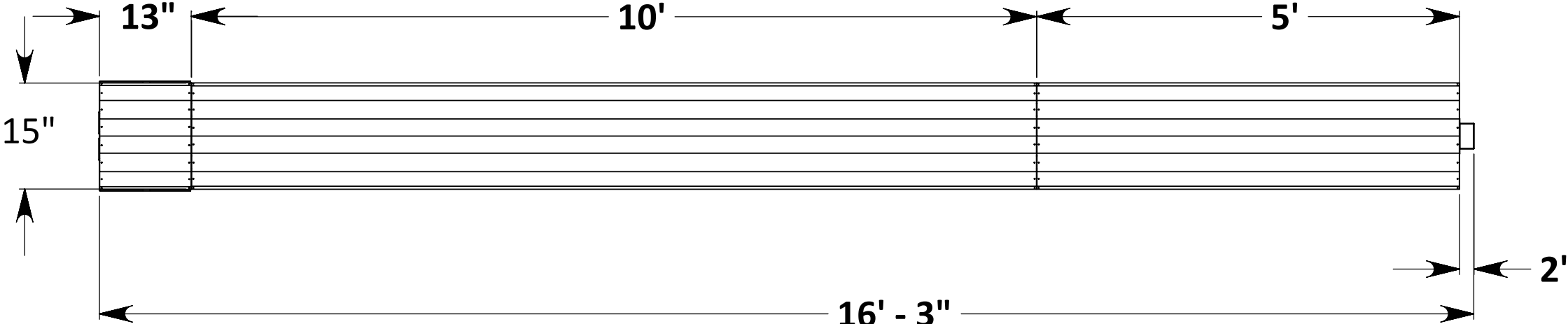
**PH-75HO-10'**  
WEIGHT: 120 LBS



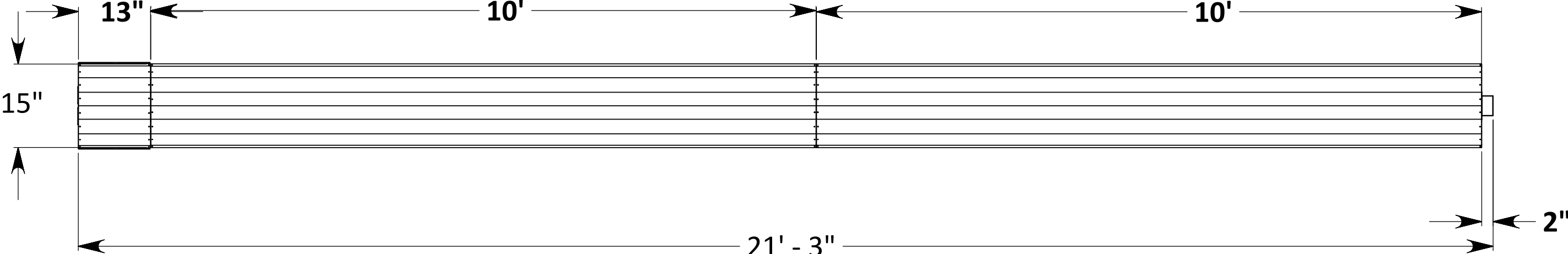
**PH-40-10'**  
WEIGHT: 70 LBS



**PH-50-15'**  
WEIGHT: 95 LBS



**PH-75-20'**  
WEIGHT: 110 LBS

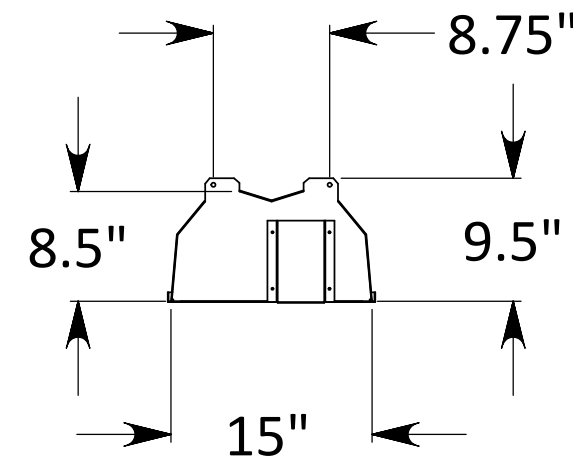
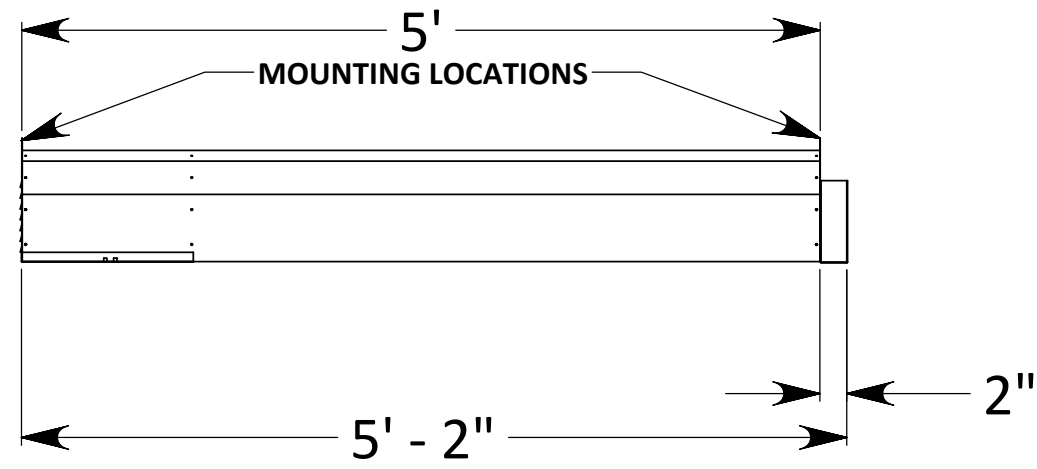
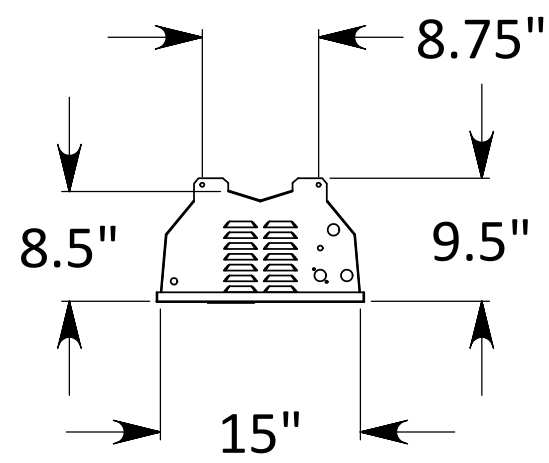


# CALCANA - PH SERIES - PATIO HEATER SIDE VIEWS

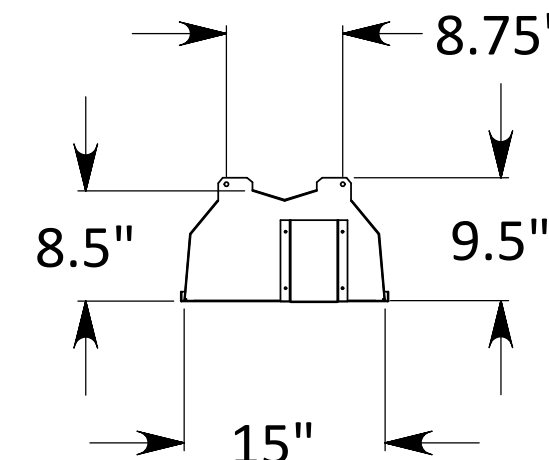
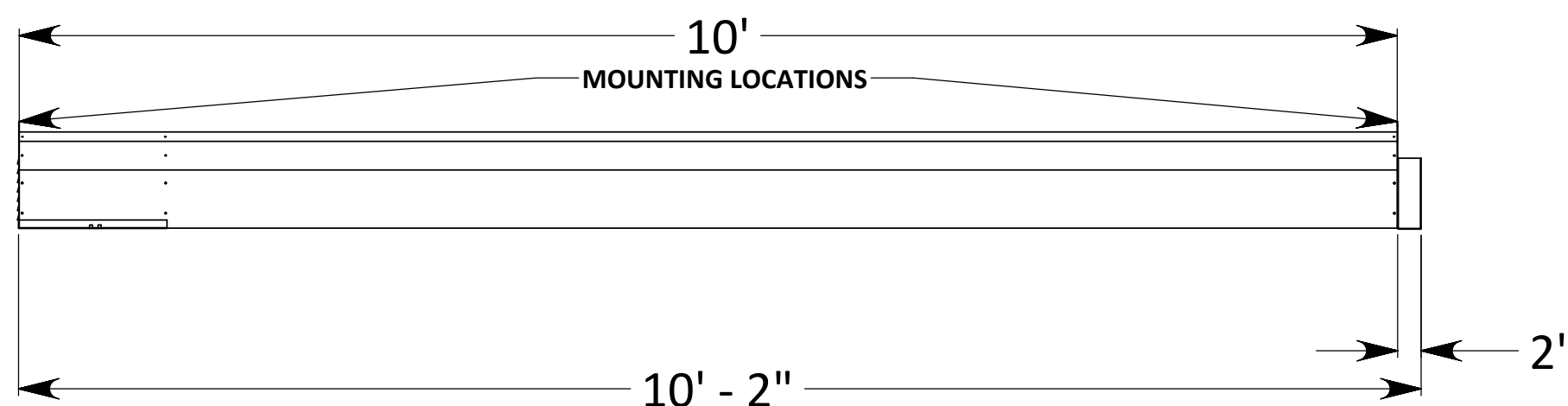
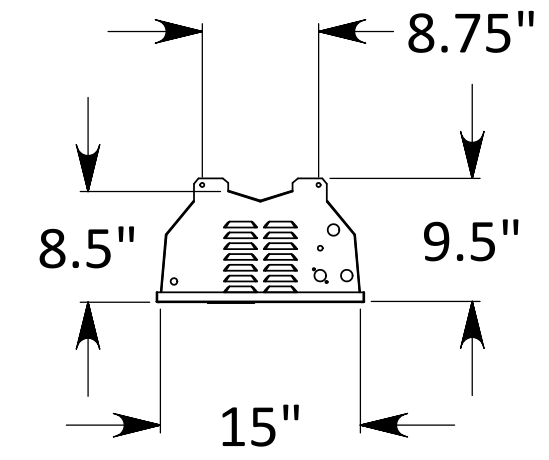
**AIR INTAKE  
END**

**EXHAUST END**

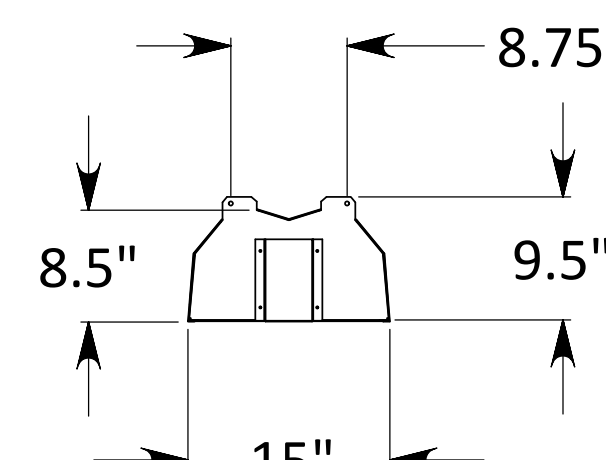
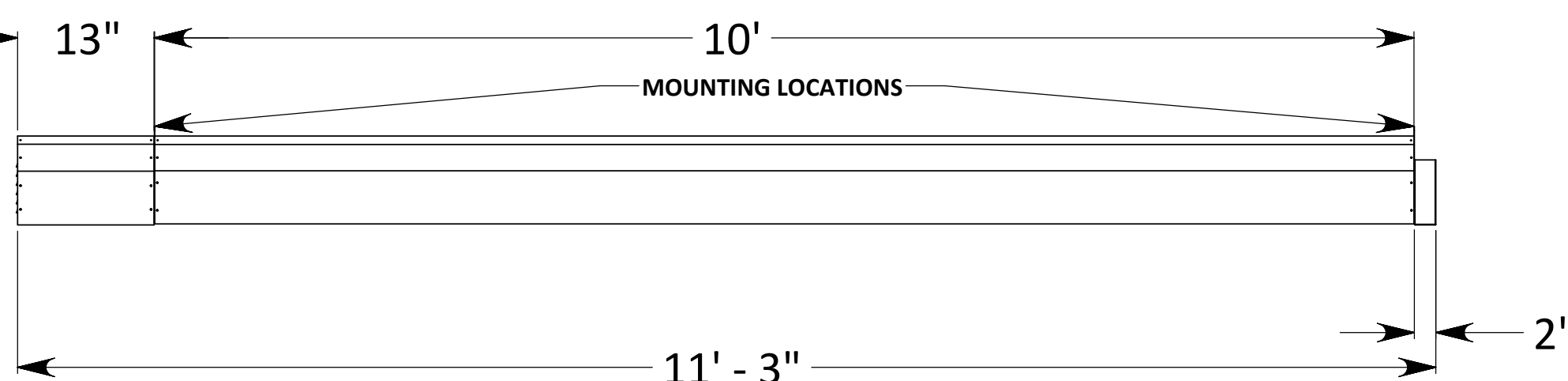
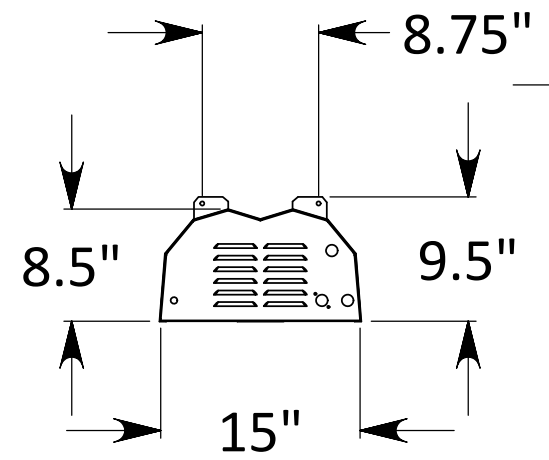
**PH-40HO-5'**  
WEIGHT: 70 LBS



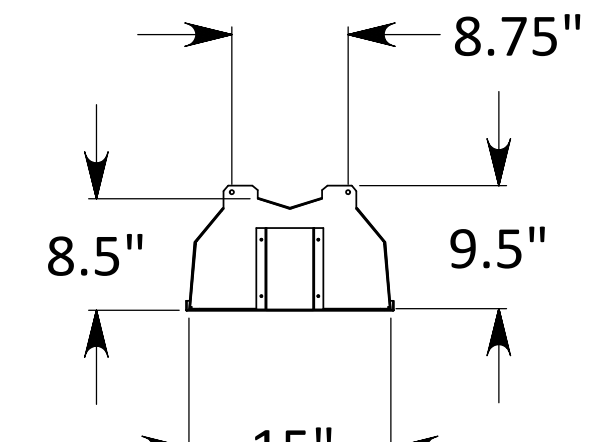
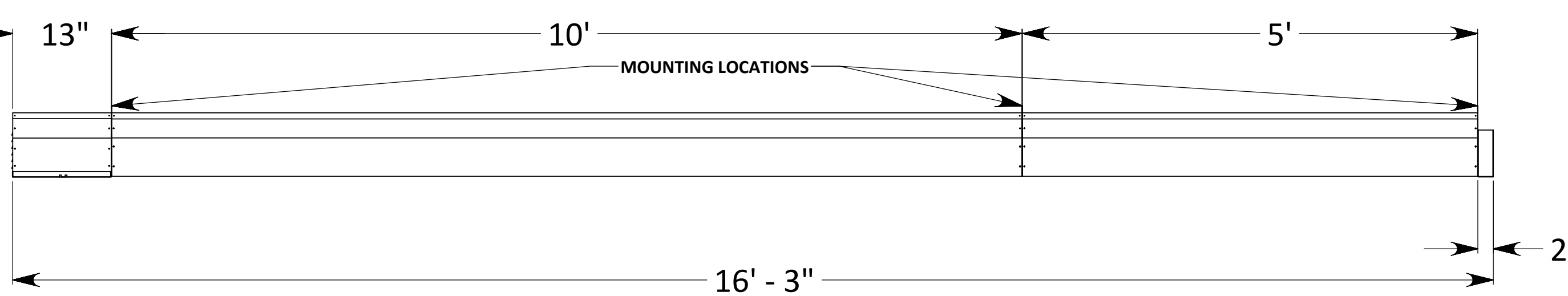
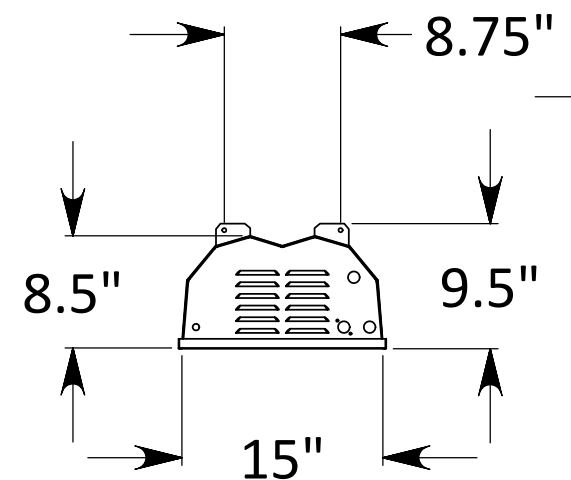
**PH-75HO-10'**  
WEIGHT: 120 LBS



**PH-40-10'**  
WEIGHT: 70 LBS



**PH-50-15'**  
WEIGHT: 95 LBS



**PH-75-20'**  
WEIGHT: 110 LBS

